

# INSTALLATION INSTRUCTIONS AND PARTS LIST

## APPLICATION:

230740 HORIZONTAL SST GRILLE INSERT:  
2007 AND NEWER GMC SIERRA 1500



## NO DRILL INSTALLATION

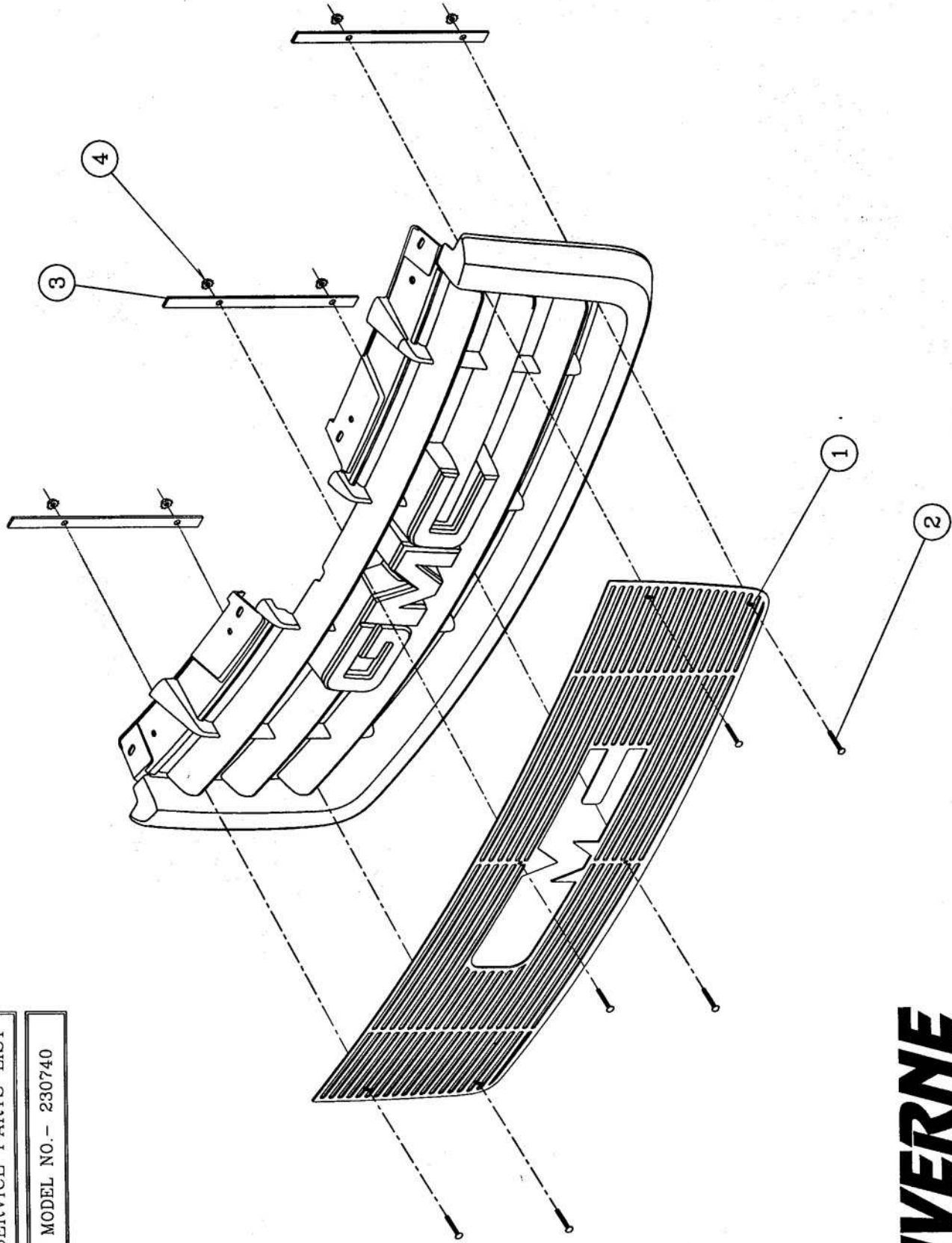
1. Read instructions completely and check to make sure that all the required parts (listed on service parts list) are on hand before starting the installation.
2. Remove the eight (8) plastic plugs holding down the radiator shroud. This will allow access to the rear of the vehicle grille through the top.
3. Install the Sst Grille Insert (item #1) as follows:
  - 3.1 Place the carriage bolts. (item #2) into each hole.
  - 3.2 Position the grille insert into the opening of the vehicle grille. **(NOTE: Slightly forming the insert to the contour of the vehicle grille will aid with installing the carriage bolts.)**
  - 3.3 From the rear of the vehicle grille install retainer plates (item #3) and the 10-24 KEPS lock nuts (item #4) as shown in **fig. 1** and finger tighten only.
  - 3.4 Center the Sst Grille Insert and tighten all fasteners. Use caution not to over tighten as you could crack the vehicle grille.
4. Reinstall the eight (8) plastic plugs holding down the radiator shroud.

## SERVICE PARTS LIST

ITEM	PART NO.	QTY	DESCRIPTION
1	107652	1	SST GRILLE INSERT, GMC, 230740
2	105399	6	BOLT-CARRIAGE, 10-24 X 3", SST
3	235014	3	PLATE-RETAINER, SST, 0.125X0.5X11.0 (2) HOLE
4	105370	6	NUT- KEPS, 10-24, SST

SERVICE PARTS LIST

MODEL NO.- 230740



**LAVERNE**  
ISO9001/ISO9000 CERTIFIED TRUCK  
EQUIPMENT INC.  
1200 Birch Street  
Brandon, SD 57005